

# INSTALLATION INSTRUCTION

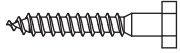
## 1. Technical Parameter

Max VESA: 900×600; Maximum load: 80kgs.

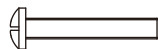
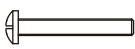
## 2. Parts List

Please check the parts in the package in comparison with the following list, make sure all of the parts are in the package. Never use defective parts, never replace part with different specification.

Bag 1



(A) M8x50 Self-tap Screw (8) (B) 10x50 Plastic Anchor (8) (C) Φ8 washers (8) (D) M5x12 screws (4)



(E) M5x30 screws (4) (F) M6x12 screws (4) (G) M6x30 screws (4) (H) M8x15 screws (4) (I) M8x30 screws (4)



(J) Square Washer (4) (K) 14mm Spacer (4) (L-1) 4mm Allen Key (1) (L-2) Wrench (1) Bubble Level (1)

Bag 2

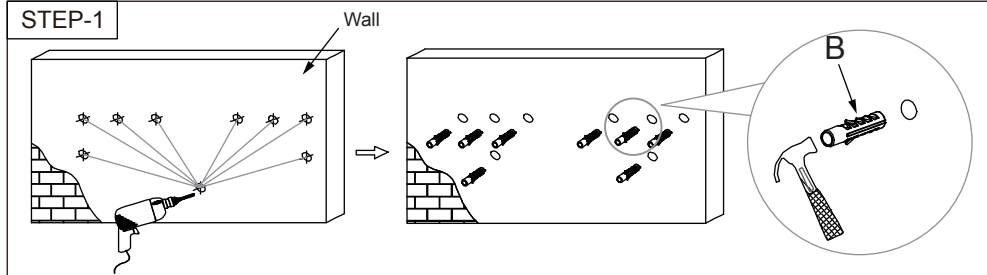


(a) M6x16 screws (4) (b) Φ6 plastic washer (4) (c) M6x16 screws (4) (d) M6 nut (8)

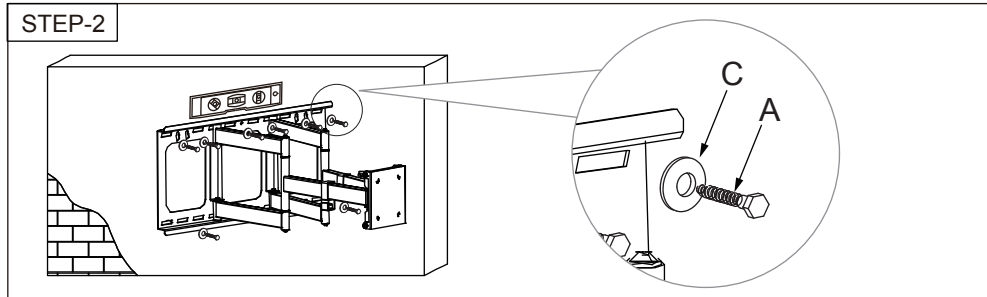
## 3. Installation and operation instructions

Note: please read the instructions carefully before installation!

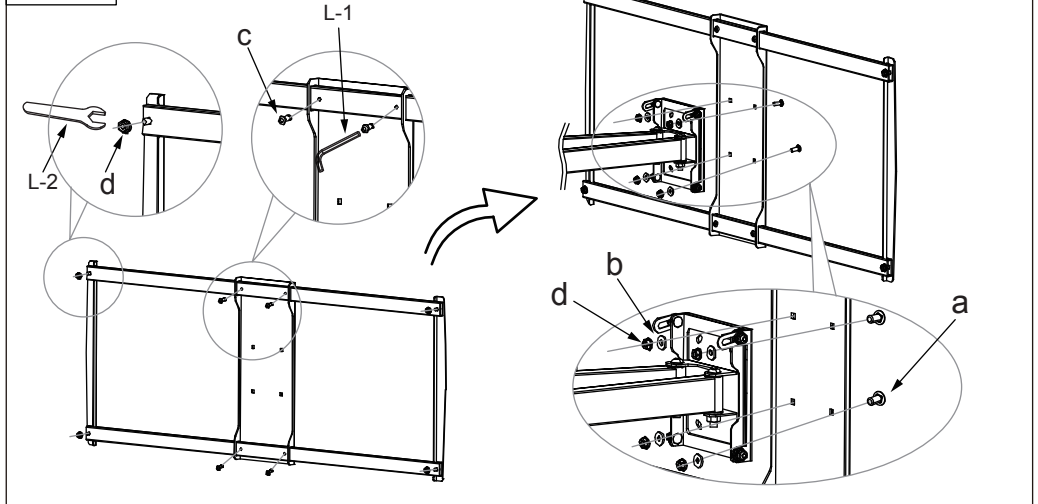
STEP-1



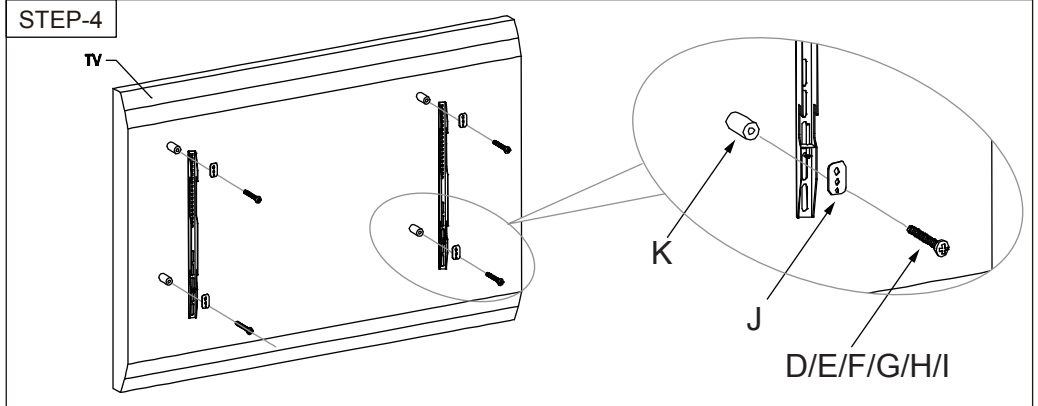
STEP-2



STEP-3



STEP-4



STEP-5

